



DESCRIPTION

Complete HET system with exposed manual Royal® Flushometer and vitreous china wall hung fixture.

Flush Cycle

Model WETS-2051.1001-1.1 (1.1 gpf/4.2 Lpf)

Code: 20511001



Note: 1.1 gpf flushometer only recommended in new construction installations or those where sufficient drain line carry can be assured. Alternatives include 1.28 gpf or 1.6 gpf flushometers.



Meets the American Disabilities Guidelines and ANSI A117.1 requirements when installed according to these requirements.

NOTE:

Plumbing System Requirements

- Minimum **Operating** Pressure: 25 PSI
- Maximum Fixture Operating Pressure: 80 PSI
- Minimum Operating Flow Rate: 18 GPM

SPECIFICATIONS

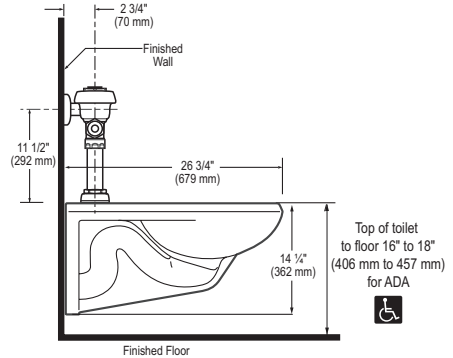
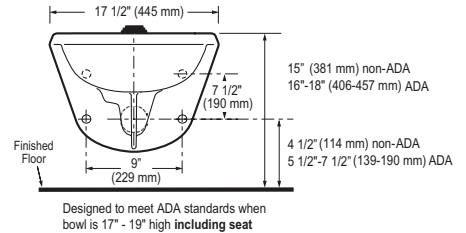
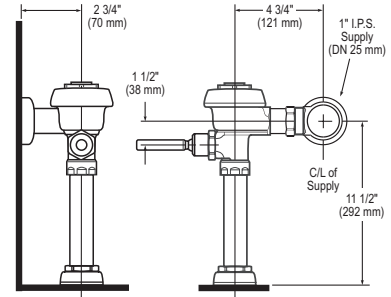
Quiet, exposed, diaphragm type, chrome plated HET Flushometer and vitreous china water closet with the following features:

Flushometer

- PERMEX® Synthetic Rubber Diaphragm with Dual linear Filtered Bypass
- ADA compliant metal oscillating Non-Hold-Open Handle with Triple Seal Handle Packing
- 1" I.P.S. Screwdriver Bak-Chek® Angle Stop with free spinning vandal resistant stop cap
- Adjustable Tailpiece
- High Back Pressure Vacuum Breaker Flush Connection with One-piece Bottom Hex Coupling Nut
- Spud Coupling and Flange for 1-1/2" Top Spud
- Sweat Solder Adapter with Cover Tube and Cast Wall Flange with Set Screw
- High copper, low zinc brass castings for dezincification resistance
- Non-Hold-Open Handle, Fixed Metering Bypass and no external volume adjustment to ensure water conservation
- Flush accuracy controlled by CID technology
- Diaphragm, Handle Packing, Stop Seat and Vacuum Breaker molded from PERMEX® rubber compound for chloramine resistance
- Valve Body, Cover, Tailpiece and Control Stop shall be in conformance with ASTM Alloy Classification for Semi-Red Brass. Valve shall be in compliance to the applicable sections of ASSE 1037.

Fixture

- Wall hung vitreous china elongated bowl
- Siphon jet flushing action
- 1 1/2" IPS top spud inlet
- 2 1/8" fully glazed trapway diameter
- Integral flushing rim
- Water spot area 9 1/2" x 8 1/4"
- Mounting hardware, carrier and toilet seat not included
- Recommended seats:
Bemis - 1955CT/1955SSCT & 2155CT/2155SSCT
Church - 295CT/295SSCT & 2155CT/2155SSCT
- Water closet shall be in compliance to the applicable sections of ASME A112.19.2/CSA B45.1
- Compliant with Buy American Act when purchased as a combination



NOTE: All vitreous china dimensions shown in these drawings are nominal. Dimensions can vary within the tolerances established in the governing ASME A112.19.2/CSA B45.1 standard. Please take this into consideration when planning rough-in and plumbing layouts.

This space for Architect/Engineer approval	
Job Name	Date
Model Specified	Quantity
Variations Specified	
Customer/Wholesaler	
Contractor	
Architect	

The information contained in this document is subject to change without notice.