



DESCRIPTION

Complete system with exposed manual Royal® closet flushometer and vitreous china water closet.

Flush Cycle

Model WETS-2001.1001-1.1 (1.1 gpf/4.2 Lpf)

Code: 20011001



SPECIFICATIONS

Exposed chrome plated Royal® flushometer and floor mounted water closet.

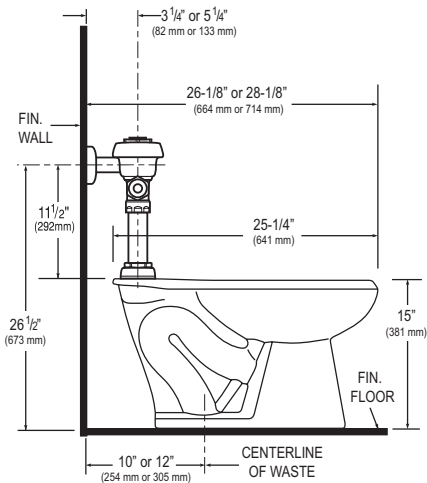
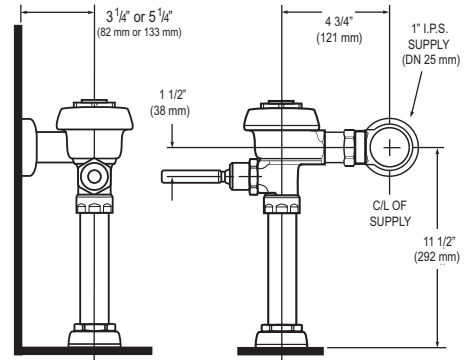
Flushometer

Quiet, exposed, diaphragm type, chrome plated closet flushometer with the following features:

- PERMEX® synthetic rubber diaphragm with dual linear filtered bypass
- 1" IPS screwdriver Bak-Chek® angle stop
- Free spinning vandal resistant stop cap
- Adjustable tailpiece
- High back pressure vacuum breaker flush connection with one-piece bottom hex coupling nut
- Spud coupling and flange for 1 1/2" Top Spud
- Sweat solder adapter with cover tube and cast set screw wall flange
- High copper, low zinc brass castings for dezincification resistance
- Non-hold-open handle, fixed metering bypass and No External volume adjustment to ensure water conservation
- Flush accuracy controlled by CID Technology
- Diaphragm, handle packing, stop seat and vacuum breaker molded from PERMEX rubber compound for chloramine resistance

Water Closet

- Vitreous china
- Floor mounted
- 1 1/2" I.P.S. top spud inlet
- 2 1/8" trapway diameter
- Integral flushing rim
- Elongated bowl
- Siphon jet flush
- Closet bolts and caps included
- 100% factory flush tested
- Mounting hardware, carrier and toilet seat not included
- Recommended seats:
Bemis - 1955CT/1955SSCT & 2155CT/2155SSCT
Church - 295CT/295SSCT & 2155CT/2155SSCT
- Water closet shall be in compliance to the applicable sections of ASME A112.19.2/CSA B45.1
- Compliant with Buy American Act when purchased as a combination



Note: 1.1 gpf flushometer only recommended in new construction installations or those where sufficient drain line carry can be assured. Alternatives include 1.28 gpf or 1.6 gpf flushometers.



Meets the American Disabilities Guidelines and ANSI A117.1 requirements when installed according to these requirements.

NOTE:

Plumbing System Requirements

- Minimum **Operating** Pressure: 25 PSI
- Maximum Fixture Operating Pressure: 80 PSI
- Minimum Operating Flow Rate: 18 GPM

This space for Architect/Engineer approval

Job Name	Date
Model Specified	Quantity
Variations Specified	
Customer/Wholesaler	
Contractor	
Architect	

SLOAN®

Sloan Valve Company
10500 Seymour Avenue
Franklin Park, IL 60131
Phone: 1-800-982-5839
Fax: 1-800-447-8329
www.sloanvalve.com

© 2014 Sloan Valve Company
WETS-2001.1001-1.1 11-14