

Model

WETS-2051.1101-1.1 ECOS®

Electronic HET Flushometer and HET Water Closet

DESCRIPTION

Complete system with exposed, sensor activated, Sloan ECOS® electronic Flushometer and HET vitreous china water closet.

Flush Cycle

Model WETS 2051.1101-1.1 (1.1 gpf/4.2 Lpf)

Code: 20511101



Note: 1.1 gpf flushometer only recommended in new construction installations or those where sufficient drain line carry can be assured. Alternatives include 1.28 gpf or 1.6 gpf flushometers.



Meets the American Disabilities Guidelines and ANSI A117.1 requirements when installed according to these requirements.

NOTE:

Plumbing System Requirements

- Minimum **Operating** Pressure: 25 PSI
- Maximum Fixture Operating Pressure: 80 PSI
- Minimum Operating Flow Rate: 18 GPM

SPECIFICATIONS

Quiet, exposed, battery powered, sensor activated, diaphragm type, ECOS® closet Flushometer for either left or right hand supply with the following features:

Flushometer

- PERMEX® Synthetic Rubber Diaphragm with Dual Filtered Fixed Bypass
- Flex Tube Diaphragm designed for improved life and reduced maintenance
- ADA Compliant Sloan ECOS® Battery Powered Infrared Sensor for automatic “No Hands” operation
- Infrared Sensor with Multiple-focused, Lobular Sensing Fields for high and low target detection
- Latching Solenoid Operator
- Engineered metal cover w/ replaceable lens window
- Courtesy Flush® Override Button
- User Friendly Three (3) Second Flush Delay
- Four (4) Size AA Batteries factory installed
- “Low Battery” Flashing LED
- Infrared Sensor Range Adjustment Screw
- Initial Set-up Range Indicator Light (first 10 minutes)
- 1” IPS screwdriver Bak-Chek® angle stop with Free Spinning Vandal Resistant Stop Cap
- High Back Pressure vacuum breaker flush connection with one-piece bottom hex coupling nut
- Spud coupling and flange for 1½” top spud
- Sweat solder adapter w/ cover tube and cast wall flange with set screw
- High copper, low zinc brass castings for dezincification resistance
- Flush Accuracy Controlled by CID Technology
- Diaphragm, Stop Seat and Vacuum Breaker to be molded from PERMEX® rubber compound for chloramine resistance
- Valve Body, Tailpiece and Control Stop shall be in conformance with ASTM Alloy Classification for Semi-Red Brass. Valve shall be in compliance with the applicable sections of ASSE 1037.

Water Closet

- Wall hung vitreous china elongated bowl
- Siphon jet flushing action
- 1½” IPS top spud inlet
- 2¼” fully glazed trapway diameter
- Integral flushing rim
- Water spot area 9 ½” x 8 ¼”
- Mounting hardware, carrier and toilet seat not included
- Recommended seats:
Bemis - 1955CT/1955SSCT & 2155CT/2155SSCT
Church - 295CT/295SSCT & 2155CT/2155SSCT
- Water closet shall be in compliance to the applicable sections of ASME A112.19.2/CSA B45.1
- Compliant with the Buy American Act when purchased as a combination

FEATURES

Automatic

The Flushometer operates by means of an infrared sensor that adapts to its surroundings. Once the user enters the sensor’s effective range and then steps away, the Flushometer Solenoid initiates the flushing cycle to flush the fixture.

Manual

Sloan ECOS® Electronic Flushometers include a button design for manual use. The flush is controlled by the button.

Hygienic

User makes no physical contact with the Flushometer surface.

Economical

Automatic operation provides water usage savings over other flushing devices. Reduces maintenance and operation costs.

Practical

Solid state electronic circuitry assures years of dependable, trouble-free operation.

Warranty

3 year (limited)

This space for Architect/Engineer approval	
Job Name	Date
Model Specified	Quantity
Variations Specified	
Customer/Wholesaler	
Contractor	
Architect	

The information contained in this document is subject to change without notice.

SLOAN®

Sloan Valve Company
10500 Seymour Avenue
Franklin Park, IL 60131
Phone: 1-800-9-VALVE-9 (982-5839)
or 1-847-671-4300
Fax: 1-800-447-8329 or 1-847-671-4380
www.sloanvalve.com

Copyright © 2014 Sloan Valve Company
WETS-2051.1101-1.1 11-14



DESCRIPTION

Complete system with exposed, sensor activated, Sloan ECOS® electronic Flushometer and HET vitreous china water closet.

Flush Cycle

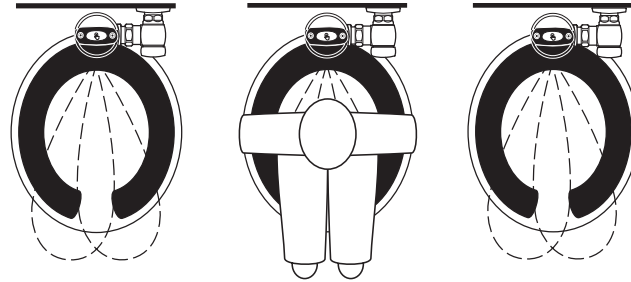
Model WETS 2051.1101-1.1 (1.1 gpf/4.2 Lpf)

Code: 20511101

ELECTRICAL SPECIFICATIONS

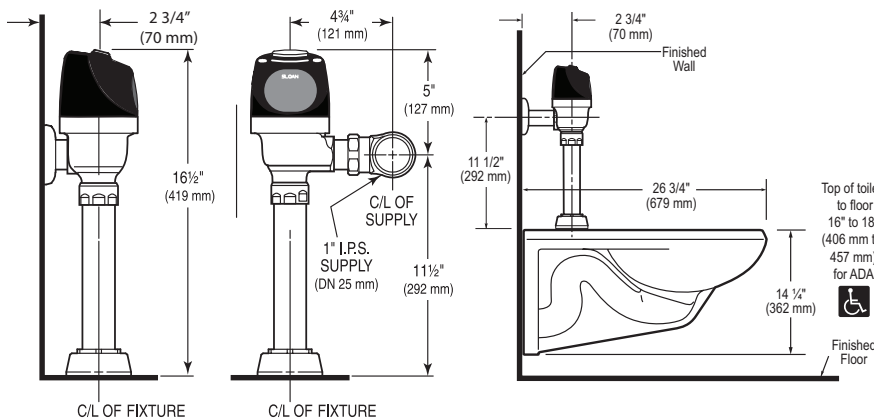
- **Control Circuit**
 - Solid state
 - 6 VDC input
 - 8 second arming delay
 - 24 hour Sentinel Flush
- **Sloan ECOS® Sensor Type**
 - Active infrared
- **Sloan ECOS® Sensor Range**
 - Nominal 22" – 42" (559 mm – 1067 mm),
 - Adjustable ± 8" (203 mm)
- **Battery Type**
 - (4) AA Alkaline
- **Battery Life**
 - 3 Years @ 4,000 flushes/month
- **Indicator Lights**
 - Range adjustment/low battery
- **Sentinel Flush**
 - Once every 72 hours after the last flush

OPERATION

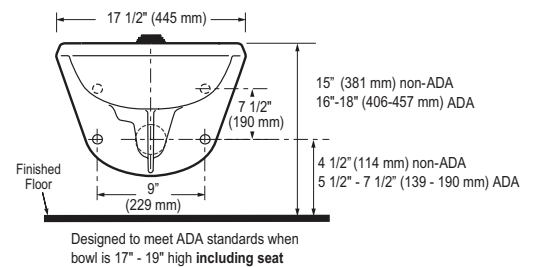


1. A continuous, invisible light beam is emitted from the Sloan ECOS® Sensor.
2. As the user enters the beam's effective range, 22" - 42" (559 mm to 1067 mm), the beam is reflected into the Scanner Window to activate the Output Circuit. Once activated, the Output Circuit continues in a "hold" mode for as long as the user remains within the effective range of the sensor. A full flush will automatically initiate when the user leaves.
3. Once a user is detected, the circuit automatically resets and is ready for the next user.

DIMENSIONS/ROUGH-IN



NOTE : All vitreous china dimensions shown in these drawings are nominal. Dimensions can vary within the tolerances established in the governing ASME A112.19.2/ CSA B45.1 standard. Please take this into consideration when planning rough-in and plumbing layouts.



SLOAN VALVE COMPANY • 10500 SEYMOUR AVENUE • FRANKLIN PARK, IL 60131

Phone: 1-800-9-VALVE-9 or 1-847-671-4300 • Fax: 1-800-447-8329 or 1-847-671-4380 • www.sloanvalve.com